

PRODUCT TECHNICAL SHEET

Collection : CONTEMPORARY

Ref. : **6231.11.01**

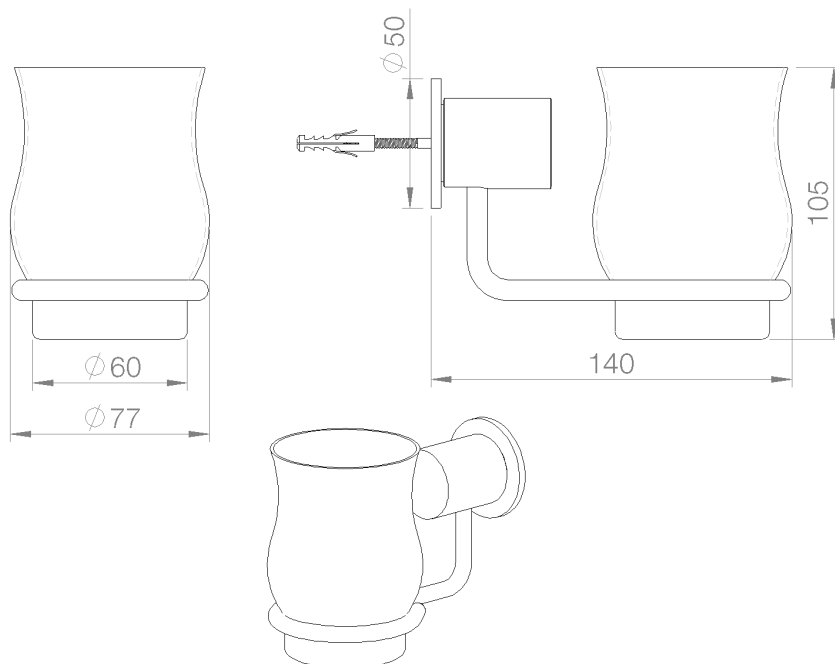
Porte verre
Glashouder
Glass holder

Picture

Product details



Technical drawing



RAO.V01